



TS-8726-R02 Series Modbus Dual Axis Inclinometer

Technical Manual

V1.0



FEATURES

- Dual Axis Inclination Measurement
- Power Supply: 9- ~ 36V
- Highest Accuracy: 0.003°
- High resolution: 0.0007°
- Measurement Range: ±30°
- Output: RS232/RS485/TTL
- IP67 Protection Level
- Wide temperature work: -40°C ~ +85°C

APPLICATIONS

- Wind Tower Tilt Monitoring
- Bridge And Dam Monitoring
- Railroad Gauge Ruler Leveling
- Exploration Surveying and Mapping Equipment
- Lifting Equipment Inclination Control
- Industrial Automation Attitude Control
- High-Precision Platform Leveling
- Construction Machinery Inclination
- Measurement

DESCRIPTION

The TS-8726-R02 is a Dual-axis high-precision inclinometer with MEMS technology and voltage output launched by AIT Sensing. It has a measurement range of ± 30° and an accuracy of up to 0.003°. It is a cost-effective product. The product uses a high-resolution differential digital-to-analog converter with built-in automatic compensation and filtering algorithms to reduce errors caused by environmental changes. This product adopts the principle of non-contact measurement, through measuring the change of the static gravity field, it is converted into the change of the inclination angle, and the change directly outputs the current attitude angle through the voltage method. It is simple to use, small in size, resistant to external electromagnetic interference, and strong in vibration and impact. The recommended choice for inclination measurement in industries such as industrial automation, surveying and mapping.

SPECIFICATIONS

Table 1.

Parameter	Test Conditions	Min.	Typ.	Max.	Unit/Note
Power Supply Voltage		9	12	36	V
Operating Current	No load	20	30	40	mA
Operating Temperature Range		-40		85	°C
Storage Temperature Range		-55		100	°C
Accuracy (X-Y axis)	Measurement Range ±15°		0.003		°
	Measurement Range ±30°		0.005		°



Modbus Dual Axis Inclinometer

TS-8726-R02

Parameter	Test Conditions	Min.	Typ.	Max.	Unit/Note
Measurement Axis		X-Y			
Resolution	Completely still		0.0007		°
Zero Bias	-40 ~ 85°C	-0.0007		+0.0007	(°/°C)
Cross axis error	-40 ~ 85°C		0.005		°
Start-Up Time				3	s
Output Frequency		5		100	Hz
Baud rate	Adjustable	2400		115200	
Mean Time Between Failures MTBF		90000			h
Electromagnetic Compatibility		According to GBT17626			
Insulation Resistance		100			MΩ
Impact Resistance		2000g, 0.5ms, 3 times/axis			

*Resolution: The smallest change value of the measured value that the sensor can detect and distinguish within the measurement range.

*Accuracy: The root mean square error of the actual angle and the sensor measuring angle for multiple (≥ 16 times) measurements.

ELECTRICAL INTERFACE

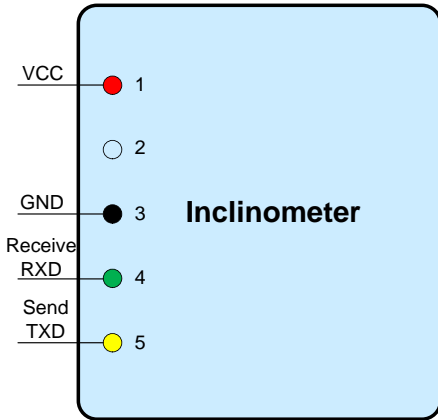


Figure 1. Pin Names

Table 2. Pin Number, Colors and Functions

No.	Color	Functions
1	Red	VCC: DC 9V ~ 36V
2	Blue	NC
3	Black	Ground
4	Green	Receive RXD (B, D-)
5	Yellow	Send TXD (A, D+)

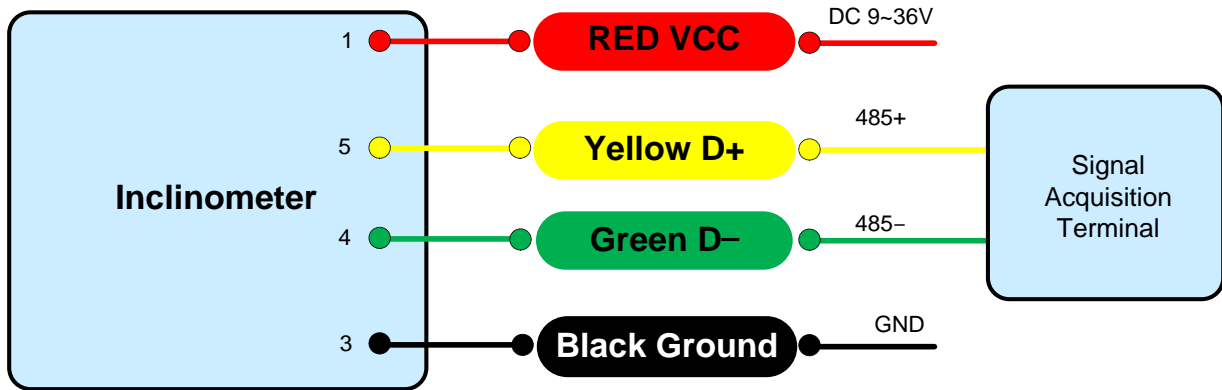


Figure 2. RS 485 Wiring Diagram

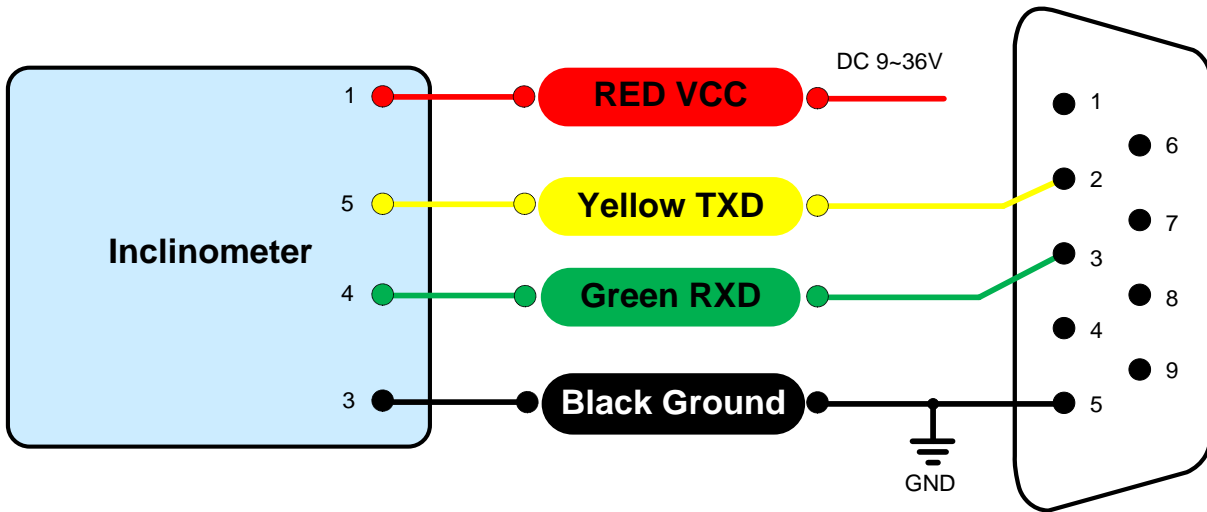


Figure 3. RS 232 Wiring Diagram

DEBUGGING SOFTWARE

You can download the serial debugging assistant directly on the official website (technical service -> download area), or you can use the more convenient and intuitive host computer software.

TS-8726-R02 supporting serial port debugging software can connect the inclination sensor on the computer to display the angle. The software debugging interface is shown in the figure below. Using the tilt angle to debug the host computer, you can conveniently display the current X direction and Y direction tilt angle, and you can also modify and set other parameters.

Steps:

- (1). Correctly connect the serial port hardware of the inclinometer and connect the power supply.
- (2). Select the computer serial port and baud rate and click to connect to the serial port.
- (3). Click Start, the current tilt angle of the inclinometer in the X direction will be displayed on the screen.

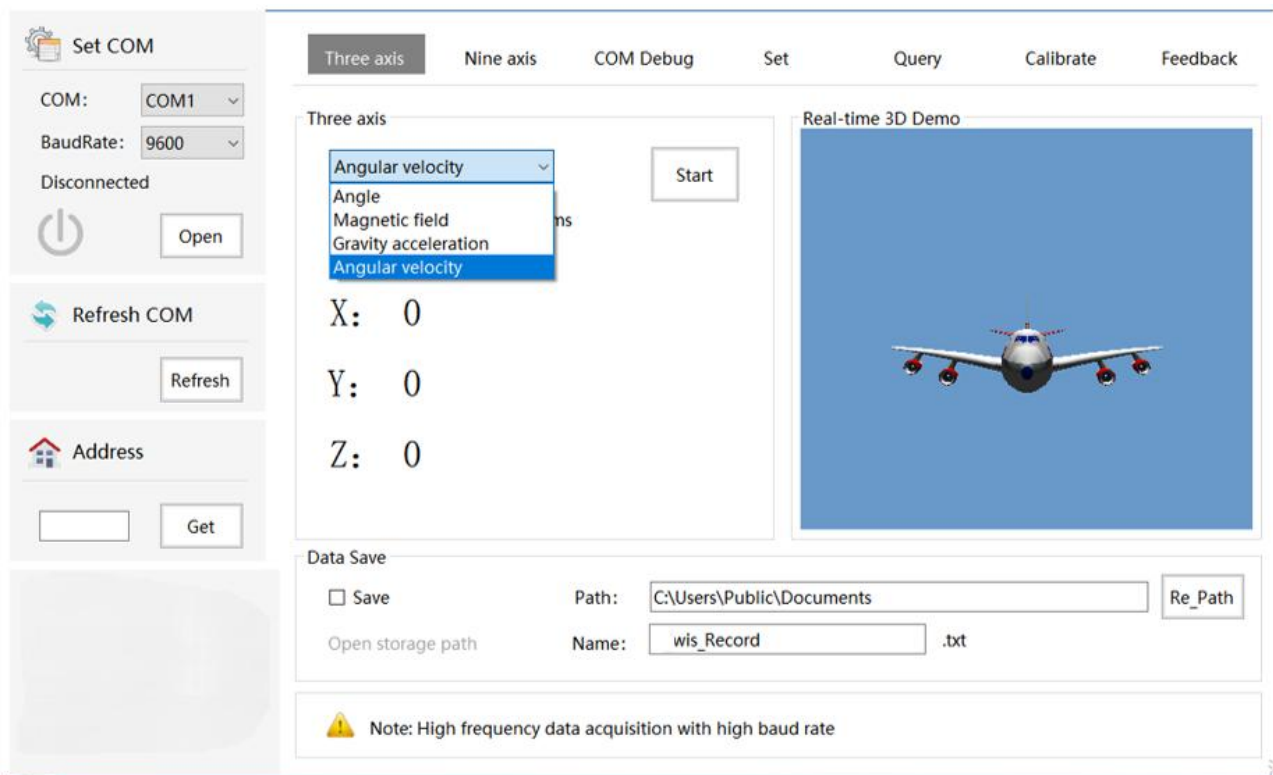
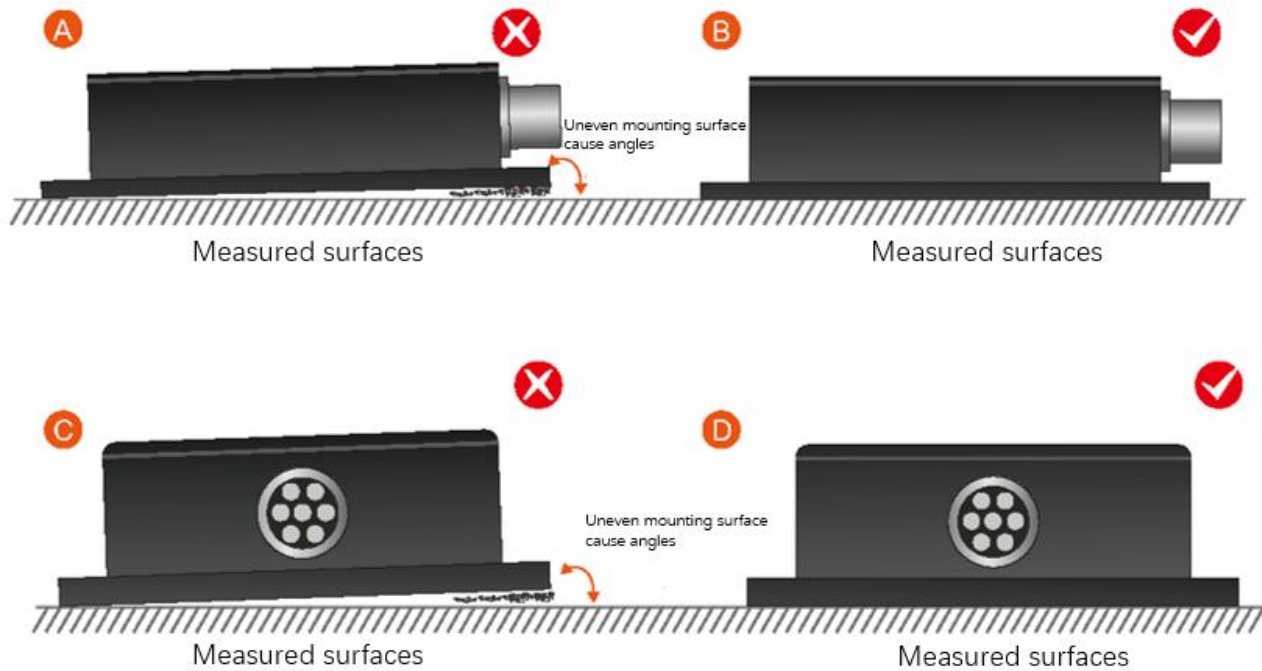


Figure 4. Software Debugging Interface

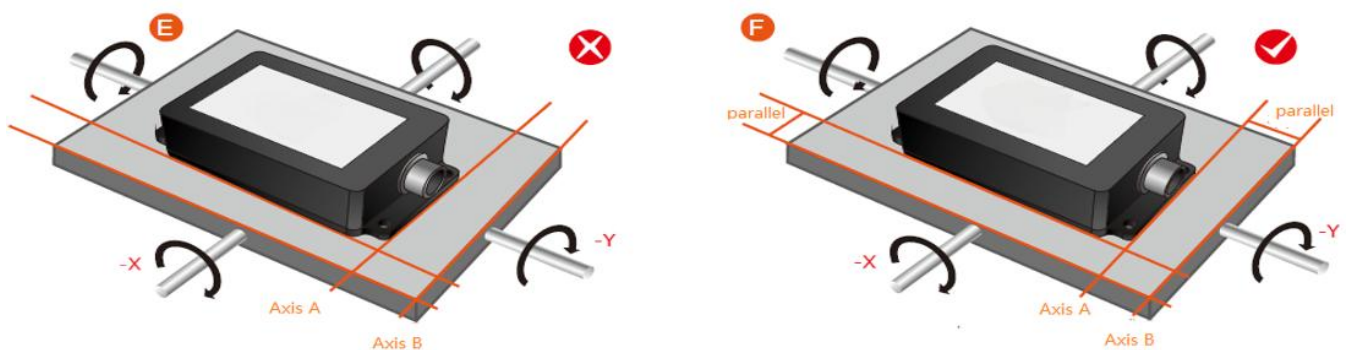
INSTALLATION

The correct installation method can avoid measurement errors. When installing the sensor, please do the following:

First of all, make sure that the sensor mounting surface is completely close to the measured surface, and the measured surface should be as level as possible. There should be no included angles as shown in Figure A and Figure C. The correct installation method is shown in Figure B and Figure D.



Secondly, the bottom line of the sensor and the axis of the measured object cannot have an angle as shown in Figure E, and the bottom line of the sensor should be kept parallel or orthogonal to the axis of rotation of the measured object during installation. This product can be installed horizontally or vertically (vertical installation needs to be customized), and the correct installation method is shown in Figure F.



Finally, the mounting surface of the sensor and the surface to be measured must be tightly fixed, smooth in contact, and stable in rotation, and measurement errors due to acceleration and vibration must be avoided.

DIMENSIONS

Outline Dimensions

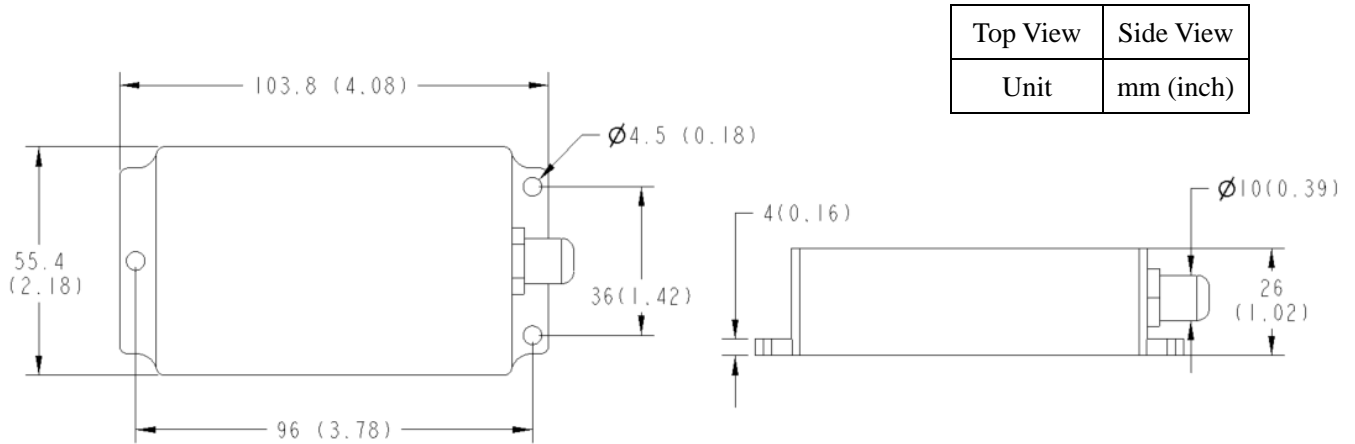


Figure 5. Outline Dimensions

PCB Dimensions

The length and width may have an error of ± 1 mm, please refer to the actual product.

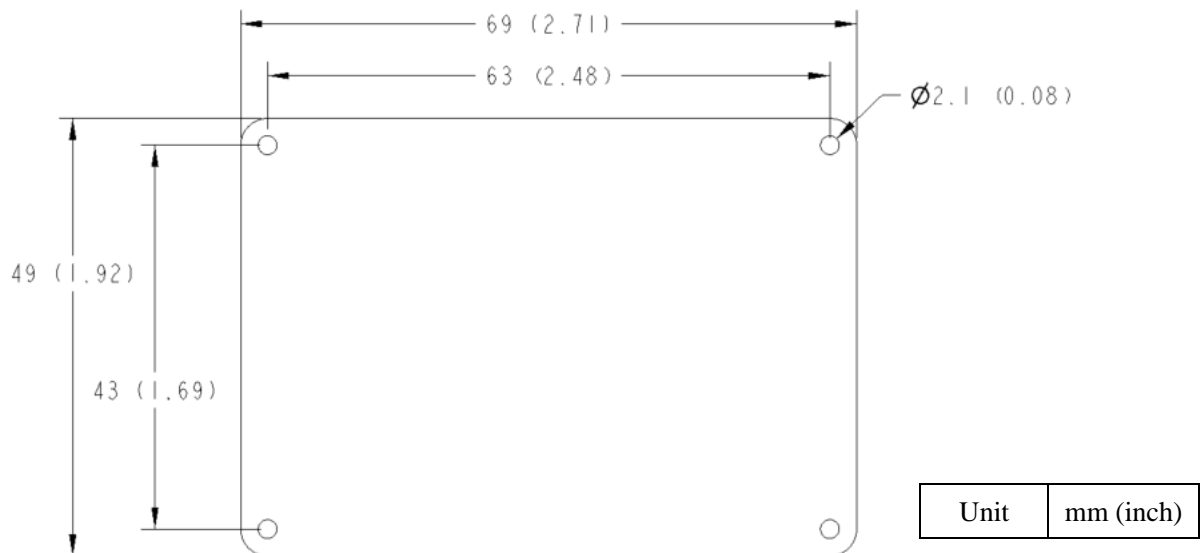


Figure 6. PCB Dimensions



Figure 7 . Top View of TS-8726-R02

Table 3. Mechanical Index

Connector	Metal joint (Cable 1.5m)
Protection level	IP67
Shell material	Magnesium aluminum alloy oxidation
Installation	Three M4 screws